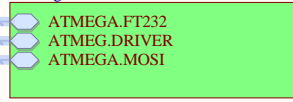


U_A4988Driver
A4988Driver.SchDoc



U_ATMega328-AU
ATMega328-AU.SchDoc



U_FT232RL
FT232RL.SchDoc



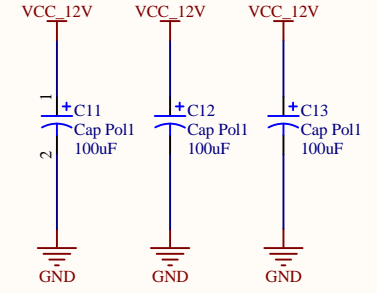
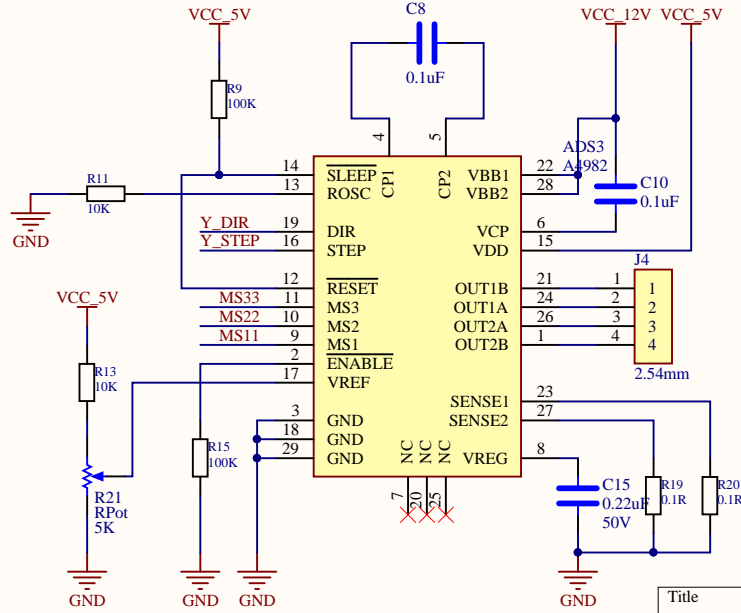
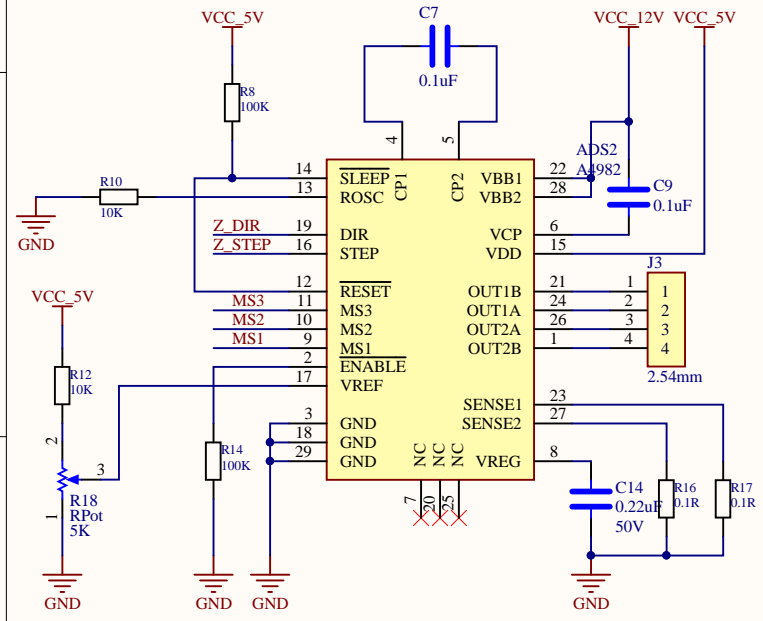
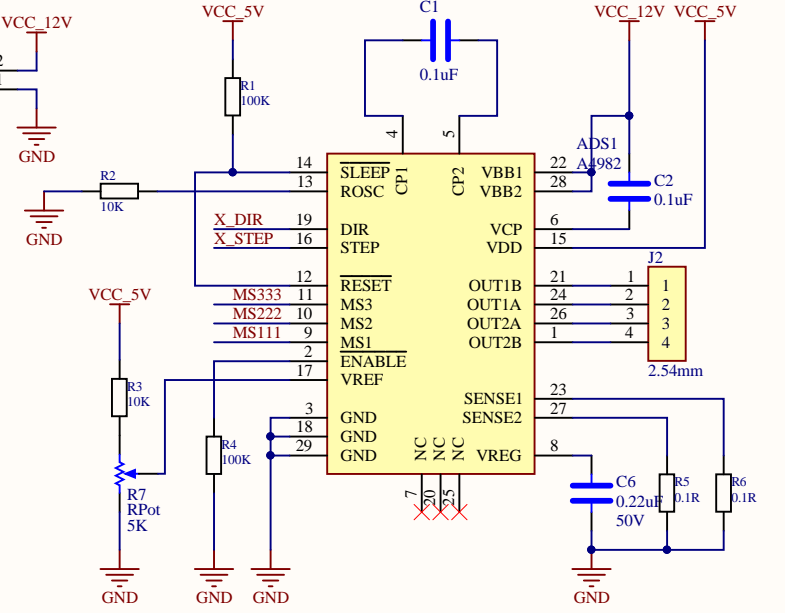
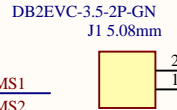
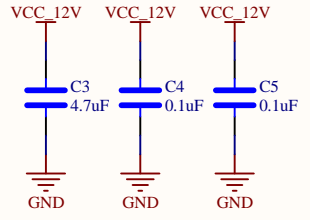
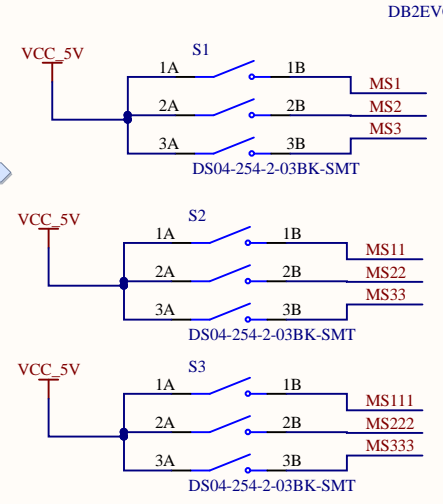
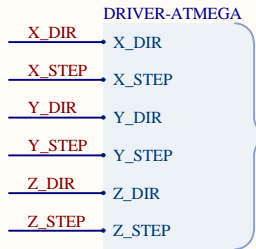
U_PowerSchematics
PowerSchematics.SchDoc



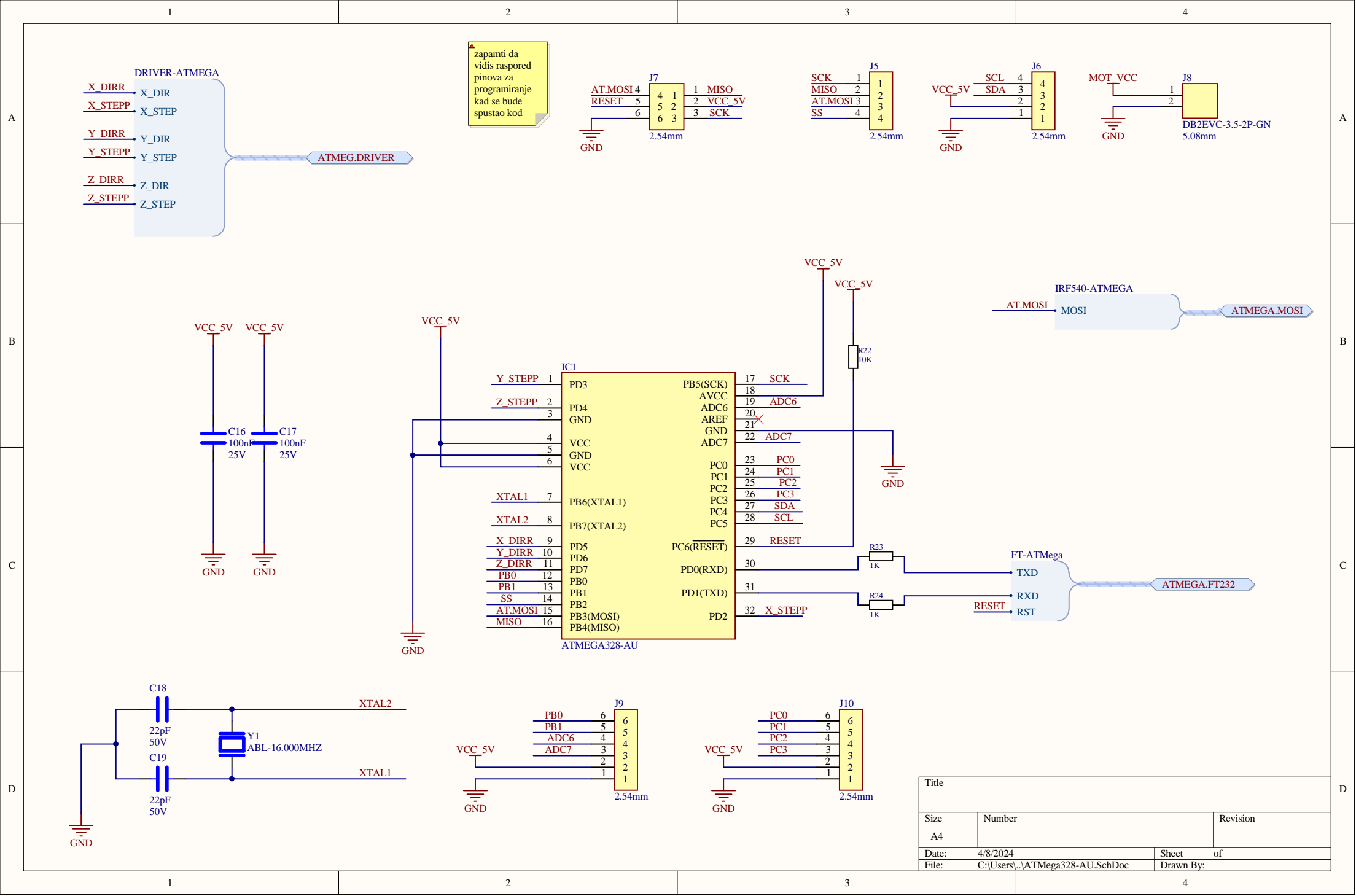
U_IRF540MotorControl
IRF540MotorControl.SchDoc



Title		
Size	Number	Revision
A		
Date:	4/8/2024	Sheet of
File:	C:\Users\...\MainSchematic.SchDoc	Drawn By:

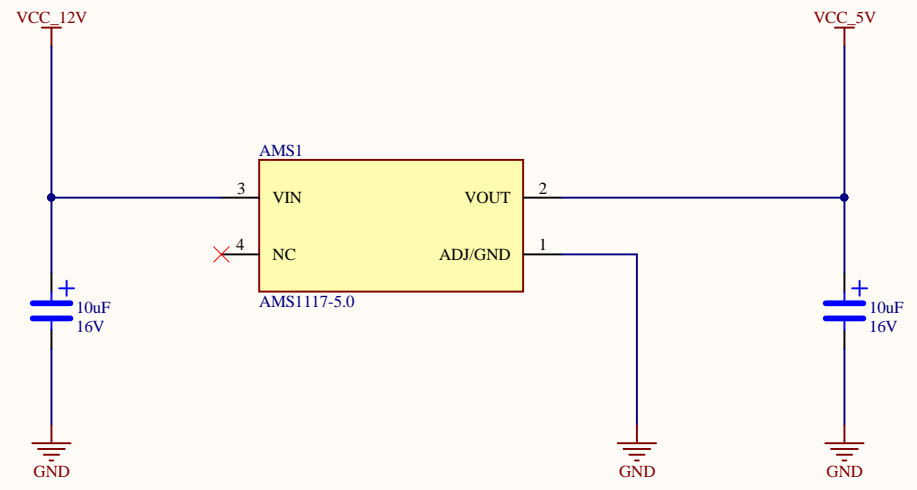
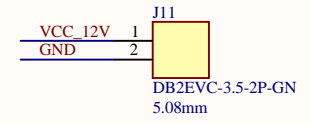


Title		
Size	Number	Revision
A4		
Date:	4/8/2024	Sheet of
File:	C:\Users\...\A4988Driver.SchDoc	Drawn By:

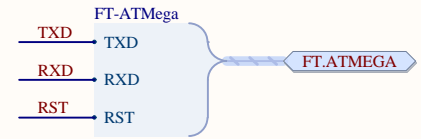
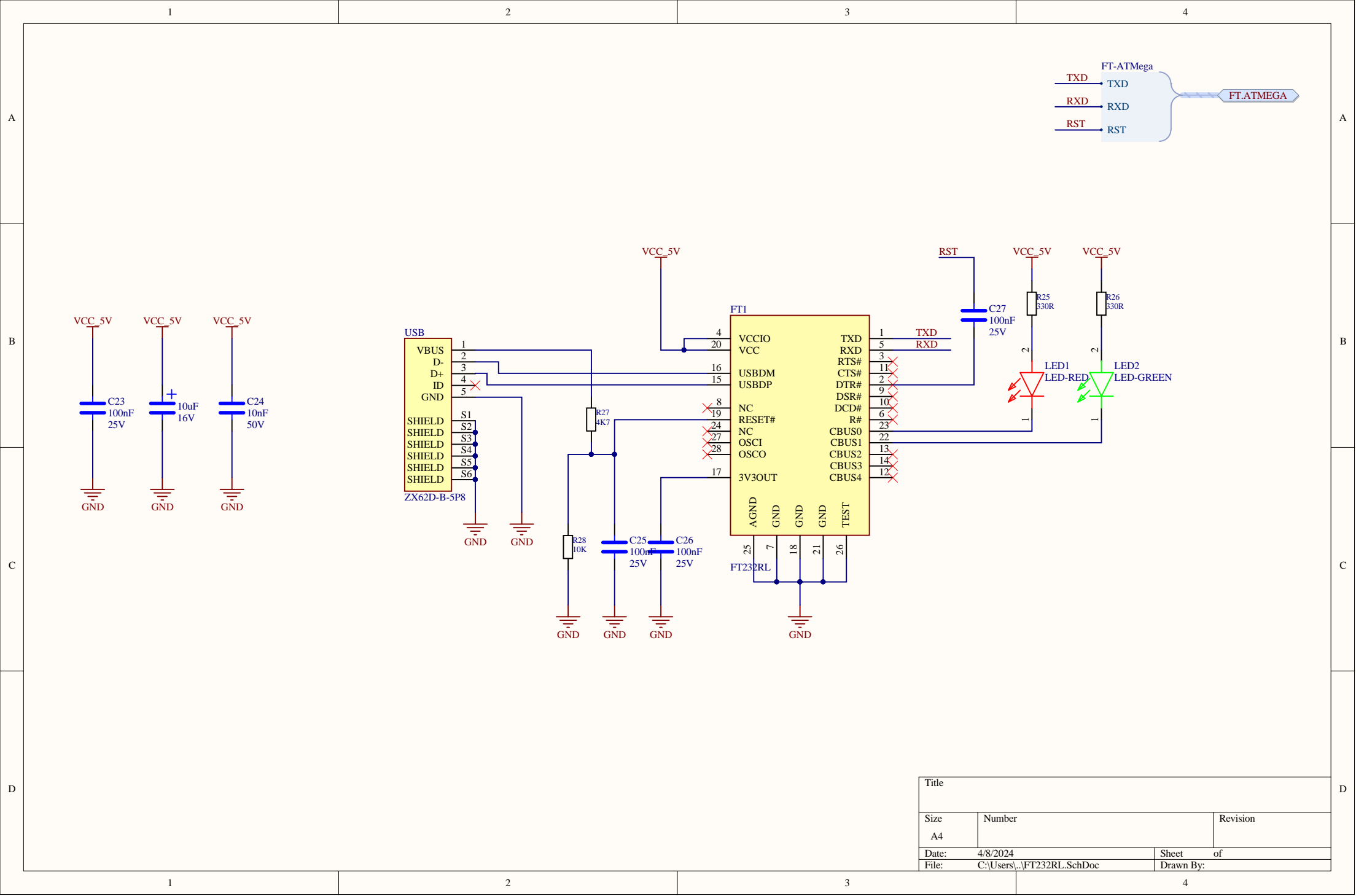


▲ zapamti da vidis raspored pinova za programiranje kad se bude spustao kod

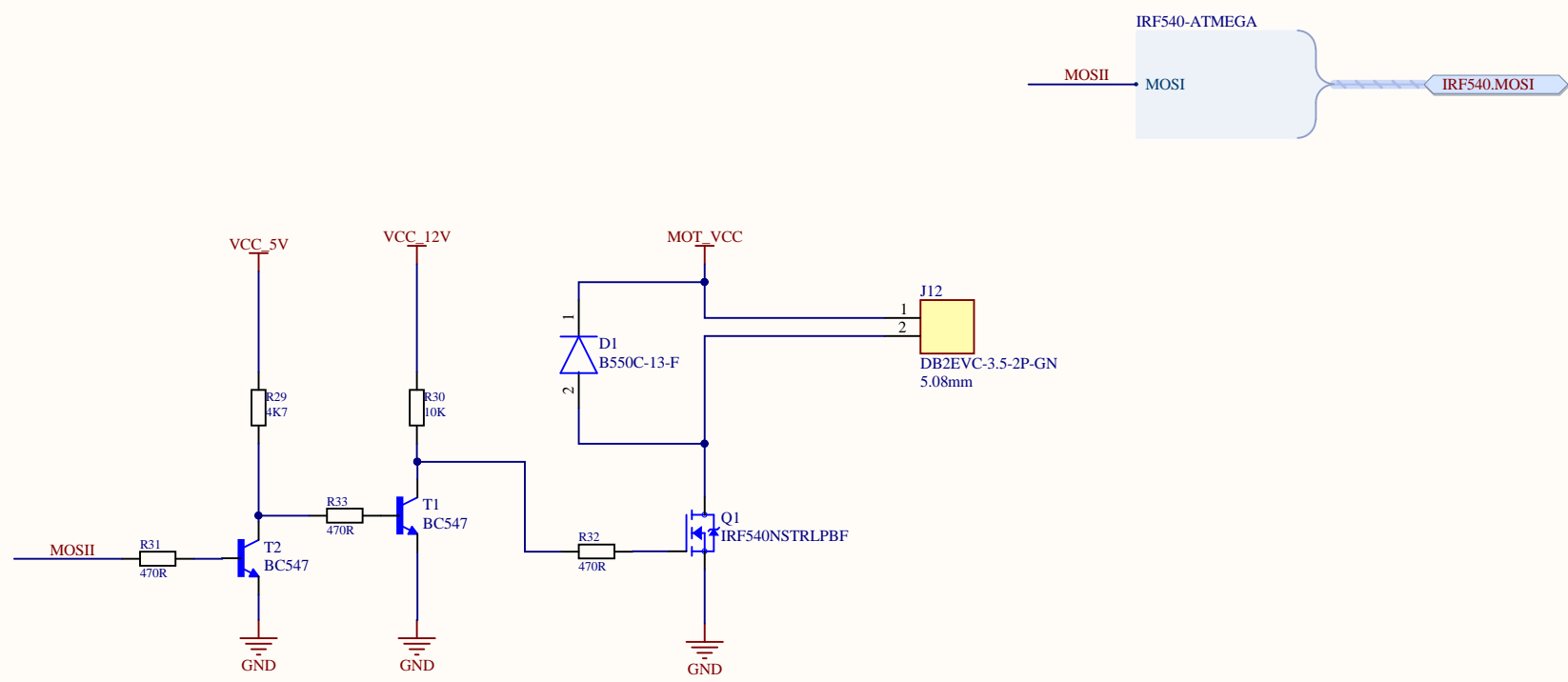
Title		
Size	Number	Revision
A4		
Date:	4/8/2024	Sheet of
File:	C:\Users\...\ATMega328-AU.SchDoc	Drawn By:



Title		
Size	Number	Revision
A4		
Date:	4/8/2024	Sheet of
File:	C:\Users\...\PowerSchematics.SchDoc	Drawn By:



Title		
Size	Number	Revision
A4		
Date:	4/8/2024	Sheet of
File:	C:\Users\...\FT232RL.SchDoc	Drawn By:



Title		
Size	Number	Revision
A4		
Date:	4/8/2024	Sheet of
File:	C:\Users\...\IRF540MotorControl.SchDoc	Drawn By: