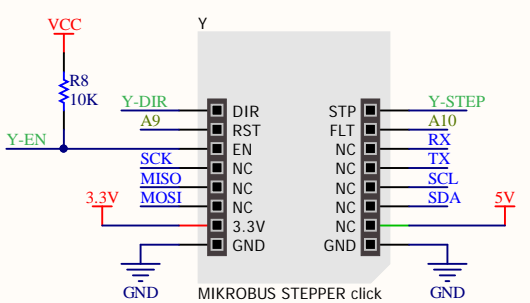
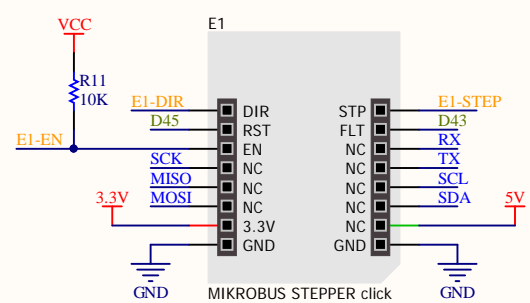
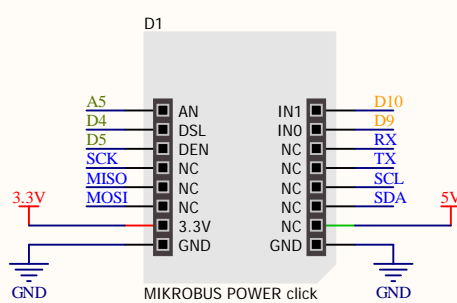
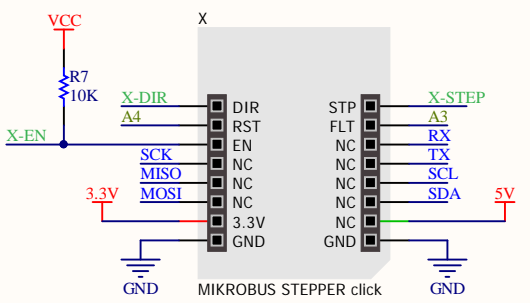
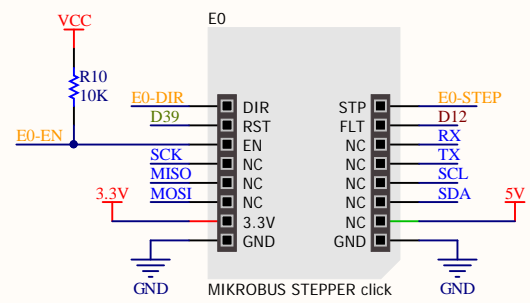
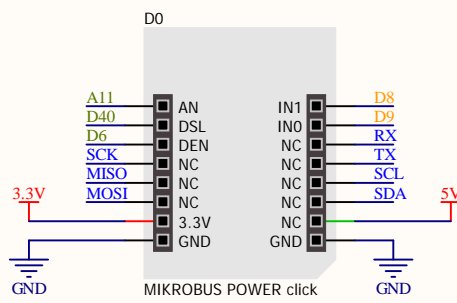


Title		
Size	Number	Revision
A		
Date:	4/1/2022	Sheet of
File:	C:\Users\...\MCU.SchDoc	Drawn By:

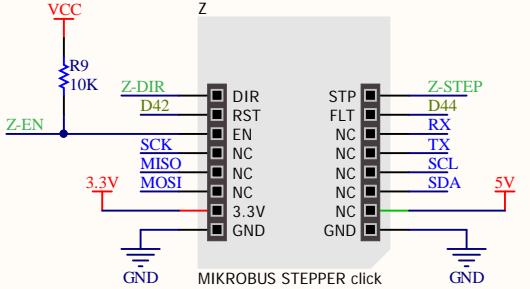
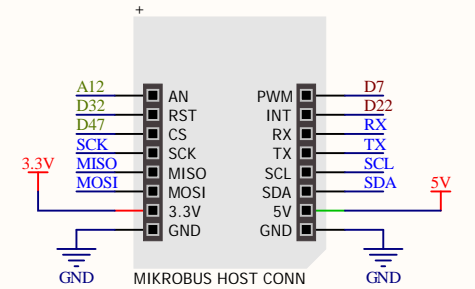


Wired to AUX-1
A3, A4

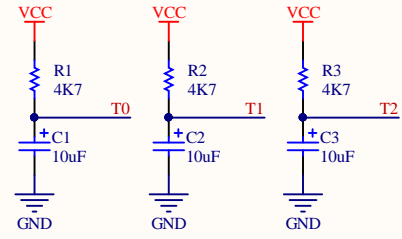
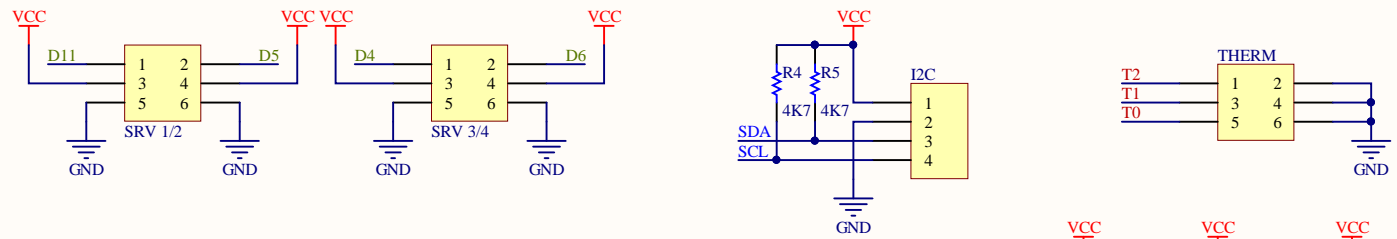
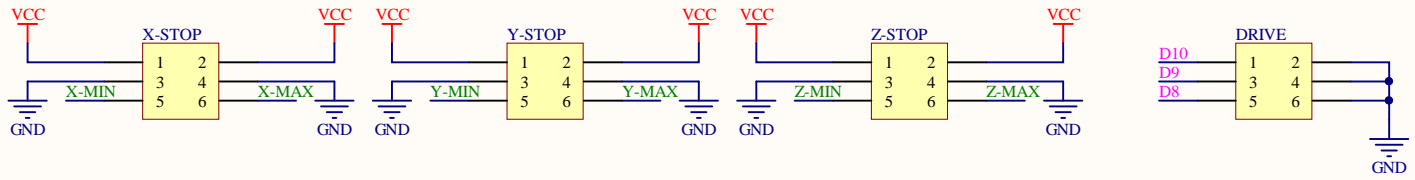
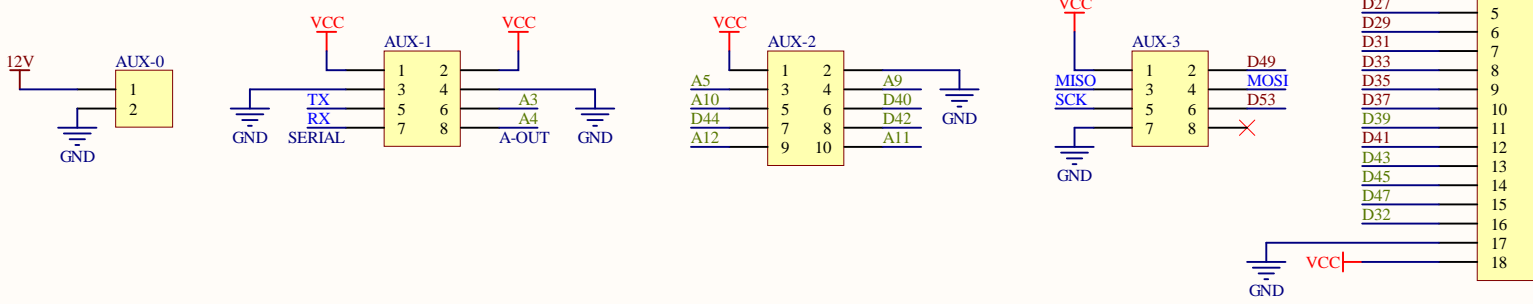
Wired to AUX-2
A5, A9, A10, A11, A12, D40, D42, D44

Wired to AUX-4
D32, D39, D43, D45, D47 (not used for display!)

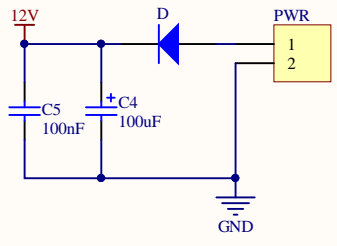
Wired to SRV 2/3/4
D4, D5, D6



Title		
Size	Number	Revision
A		
Date:	4/1/2022	Sheet of
File:	C:\Users\...\Clicks.SchDoc	Drawn By:



Title		
Size	Number	Revision
A		
Date:	4/1/2022	Sheet of
File:	C:\Users\...\Headers.SchDoc	Drawn By:



Title		
Size	Number	Revision
A		
Date:	4/1/2022	Sheet of
File:	C:\Users\...\Power.SchDoc	Drawn By: