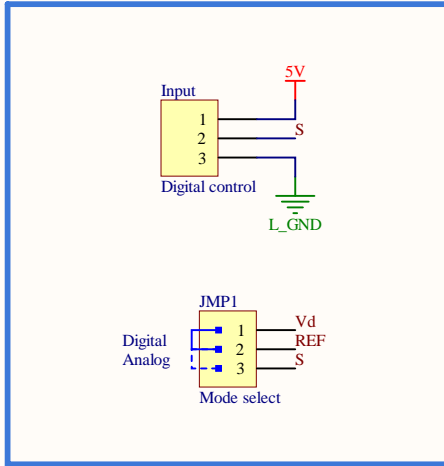
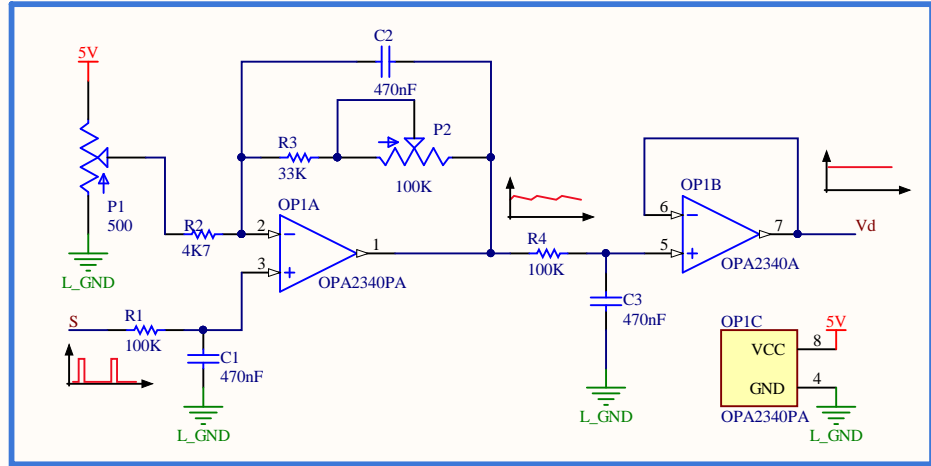


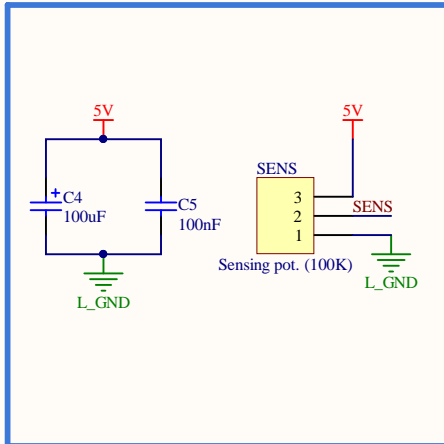
### Reference Signal



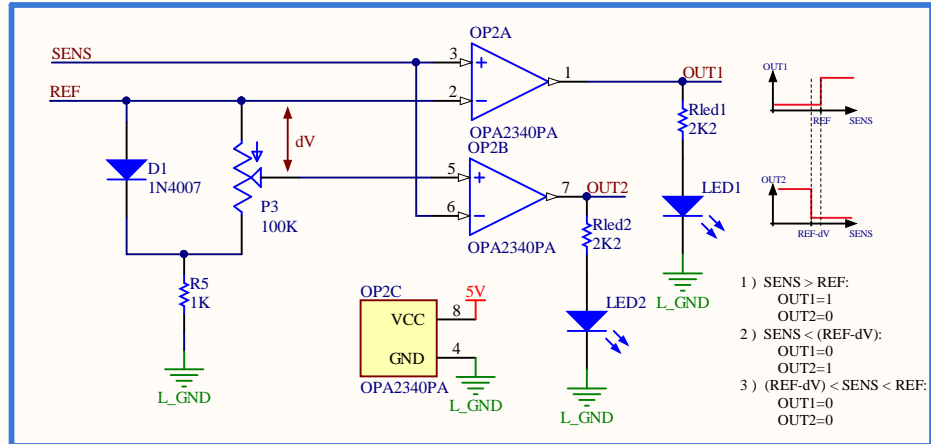
### PWM to Analog Conversion



### Servo Sensor



### ON/OFF Regulator

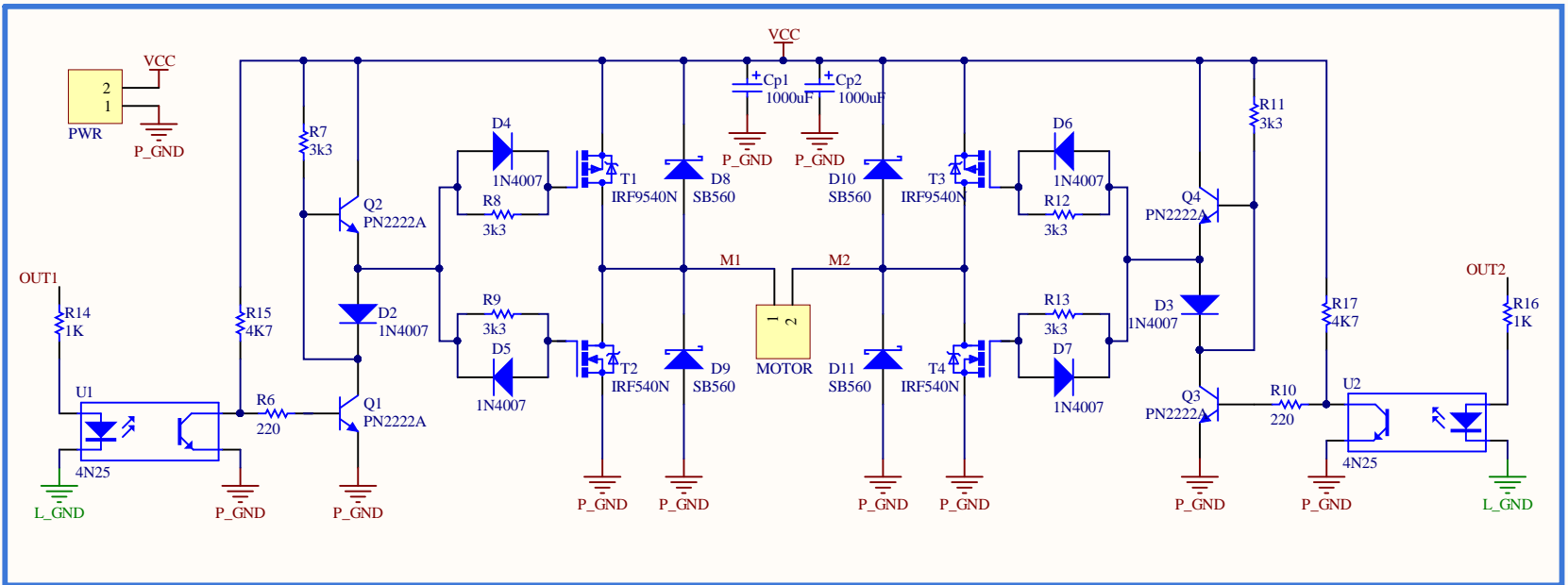


- 1) SENS > REF:  
OUT1=1  
OUT2=0
- 2) SENS < (REF-dV):  
OUT1=0  
OUT2=1
- 3) (REF-dV) < SENS < REF:  
OUT1=0  
OUT2=0

## Title Control Logic

| Size  | Number                           | Revision  |
|-------|----------------------------------|-----------|
| A     |                                  |           |
| Date: | 6/30/2022                        | Sheet of  |
| File: | C:\Users\...\ControlLogic.SchDoc | Drawn By: |

### H-Bridge



|                           |                                 |           |
|---------------------------|---------------------------------|-----------|
| Title <b>Motor Driver</b> |                                 |           |
| Size<br>A                 | Number                          | Revision  |
| Date:                     | 6/30/2022                       | Sheet of  |
| File:                     | C:\Users\...\MotorDriver.SchDoc | Drawn By: |